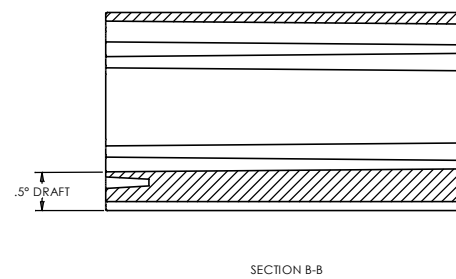
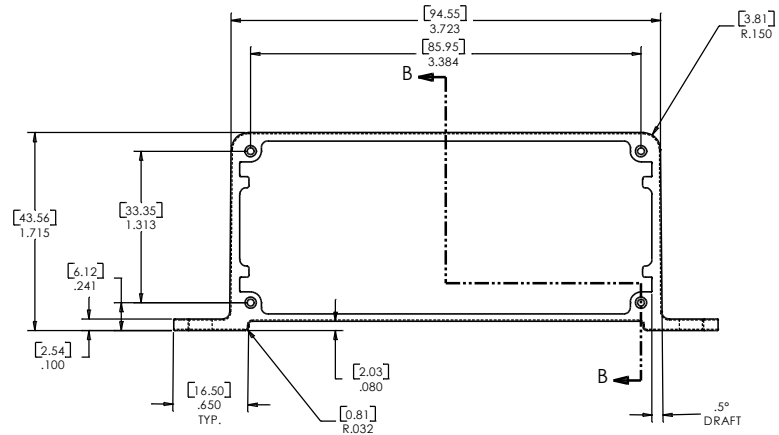
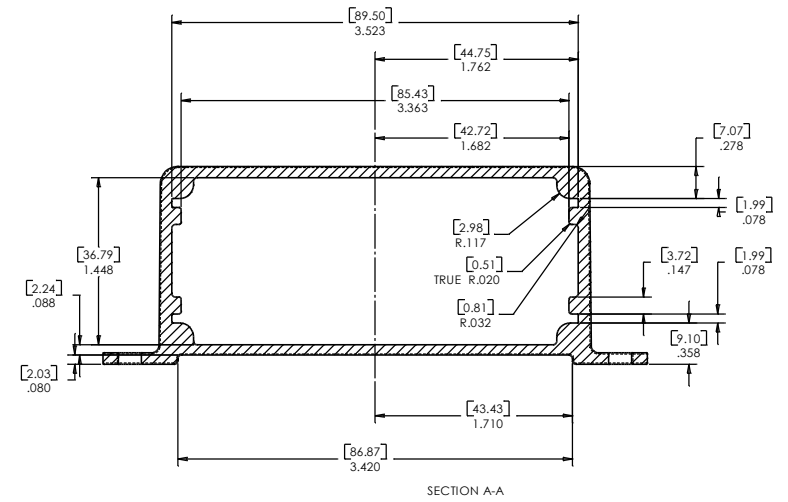
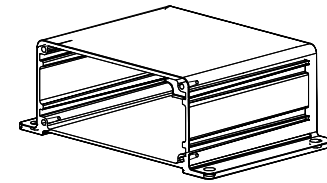
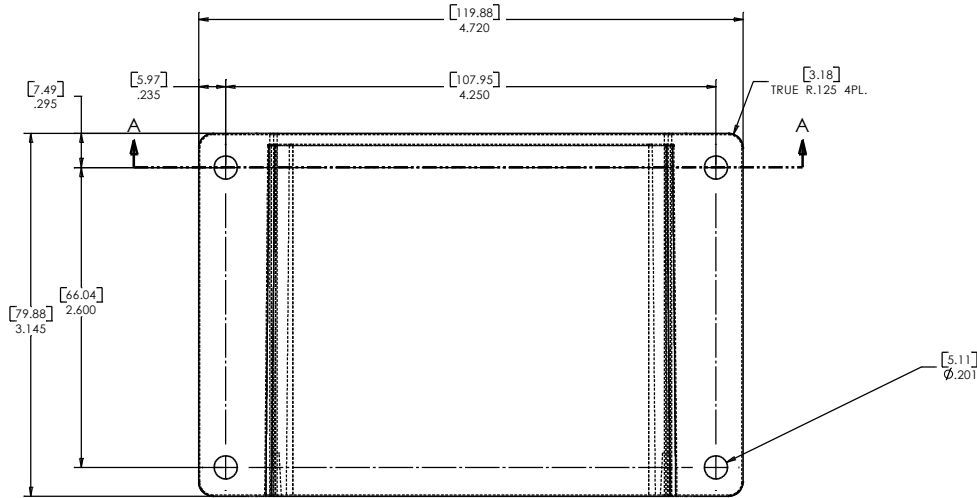


ECO	REV	DESCRIPTION	DATE	DRAWN	APPROV



All dimensions are in inches unless otherwise specified.

Fitted copies must be verified against dimensions master before use.		Letzgo Products Inc.	
Drawn by: R. Aire	Date: 2/7/06	829 S. 158th Place Eden, AZ 85524	www.letzgo.com info@letzgo.com Ph: 574-231-0443 Fax: 480-626-3630
Checked by: D. Utley	Date: 2/7/06	Enclosure For 2 PCBs 3" x 3.5"	
Proprietary Information		Size: D	Rev: A
Under drawing and specifications the property of Letzgo Products, Inc. All other rights reserved or unmentioned herein remain prohibited.		Scale: 2:1	Sheet: 1 of 1